



IWAKI Electromagnetic metering pumps high pressure type

EHN-R-H

**Ideal for boiler chemical injection
into pressurized pipelines***

*Observe the maximum discharge pressure.



Max. discharge pressure: 1.5MPa (Max. 360spm)

The Heart of Industry

Specifications of pump

Model		EHN-B11PH-H	EHN-C16PH-H
Max. discharge capacity	mL/min	30	60
	mL/shot	0.04 - 0.08	0.07 - 0.17
Max. discharge pressure	MPa	1.5	
Stroke rate	spm	1 - 360	
Stroke length	%	50 - 100	
Connection (Hose dia.)	mm	Outlet/Air vent: $\varnothing 4 \times \varnothing 6$, Inlet: $\varnothing 4 \times \varnothing 9$	
Power voltage		100 - 240VAC 50/60Hz single phase	
Current	A	0.8	1.2
Average power consumption	W	20	24
Accessory		Check valve CS-1E-2, Nylon tube 3m	

- Operating condition: Liquid temperature range is 0 to 60 °C Ambient temperature range is 0 to 40 °C
- Max. discharge capacity represents the figure when pumping clear water at ambient temperature at max. discharge pressure. Pump discharges more liquid than shown above if it runs at lower discharge pressure. If discharge pressure is 0.12MPa or lower, be sure to use check valve to avoid over-feeding.

Specifications of controller

Model	EHN-R	
Operation mode	Manual, EXT (Pulse multiply or dividing)	
Control function	Setting	· Manual stroke rate 1 - 360spm · External Digital input operation Multiply 1:n n=1 - 999 Dividing n:1 n=1 - 999
	Setting method	3 operating keys
	Stop	The pump stops while receiving the stop signal (Make off/Make on can be selected by changing controller setting)
Display	4-digit LCD, Operating condition or set value or so	
Input	Pulse	No voltage contact, Open collector
	Stop	No voltage contact, Open collector
Power voltage	100 - 240VAC 50/60Hz single phase	

Pump identification

EHN - B 11 PH 1/2 M R - H

1 2 3 4 5 6 7 8

1 Series name
EHN series

2 Drive unit code
(Average power consumption)
B : 20W
C : 24W

3 Diaphragm effective diameter
11 : 10mm
16 : 15mm

4 Wet-end material code
PH

5 Connection hose dia. (in mm)
1/2 : Inlet $\varnothing 4 \times \varnothing 9$ Outlet $\varnothing 4 \times \varnothing 6$

6 Connection
M : Multi tube connection

7 Controller
R : Standard

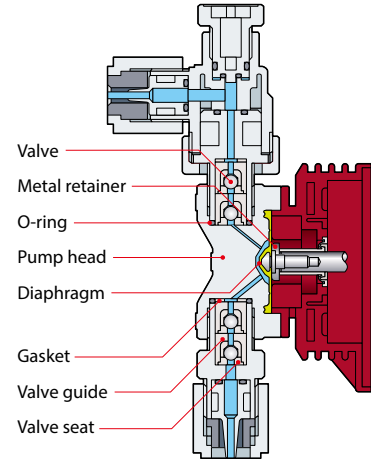
8 Special configuration
H : High pressure type

Construction and materials

Material symbol	PH
Pump head	GFRPP
Valve	Hastelloy C276
Valve seat	EPDM
Valve guide	GFRPP
Gasket	PTFE
O-ring	EPDM
Diaphragm	PTFE+EPDM*

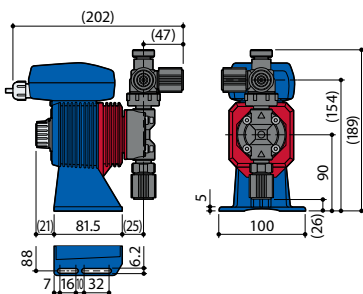
*EPDM of diaphragm is not wet-end.

GFRPP : Glass fiber reinforced polypropylene
EPDM : Ethylene propylene rubber
PTFE : Polytetrafluoroethylene

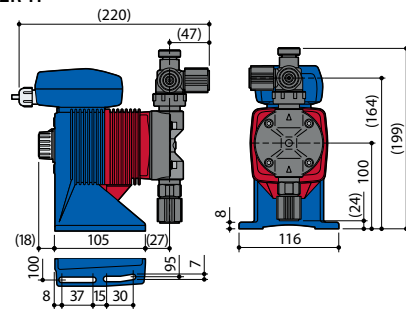


Dimensions (mm)

EHN-B11PH1/2R-H



EHN-C16PH1/2R-H



IWAKI CO., LTD. 6-6 Kanda-Sudacho 2-chome Chiyoda-ku Tokyo 101-8558 Japan TEL : (81)3 3254 2935 FAX : 3 3252 8892 Please find your distributor location at www.iwakupumps.jp

European office : IWAKI Europe GmbH Germany : IWAKI Europe GmbH Holland : IWAKI Europe GmbH (Netherlands Branch) Italy : IWAKI Europe GmbH (Italy Branch) Spain : IWAKI Europe GmbH (Spain Branch) Belgium : IWAKI Belgium N.V. Denmark : IWAKI Nordic A/S Finland : IWAKI Suomi Oy France : IWAKI France S.A. Norway : IWAKI Norge AS Sweden : IWAKI Sverige AB	TEL: (49)2154 9254 0 TEL: (49)2154 9254 50 TEL: (31)74 2420011 TEL: (39)0444 371115 TEL: (34)93 37 70 198 TEL: (32)13 67 02 00 TEL: (45)48 24 2345 TEL: (358)9 2745810 TEL: (33)1 69 63 33 70 TEL: (47)23 38 49 00 TEL: (46)8 511 72900	FAX: 2154 9254 48 FAX: 2154 9254 55 FAX: (49)2154 925448 FAX: 0444 335350 FAX: 93 47 40 991 FAX: 13 67 20 30 FAX: 2 630 4800 FAX: 2 8227 6818 FAX: 2 8227 6900	U.S.A. : IWAKI America Inc. Argentina : IWAKI America Inc. (Argentina Branch) Brasil : IWAKI Do Brasil Comercio De Bombas Hidraulicas LDA. Singapore : IWAKI Singapore Pte Ltd. Indonesia : IWAKI Singapore (Indonesia Office) Malaysia : IWAKI Im Sdn. Bhd. Australia : IWAKI Pumps Australia Pty Ltd. Hong Kong : IWAKI Pumps Co., Ltd. China : GFTZ IWAKI Engineering & Trading Co., Ltd. : IWAKI Pumps (Shanghai) Co., Ltd. Korea : IWAKI Korea Co., Ltd. Taiwan : IWAKI Pumps Taiwan Co., Ltd. Thailand : IWAKI (Thailand) Co., Ltd.	TEL: (1)508 429 1440 TEL: (54)11 4745 4116 TEL: (55)19 3244 5900 TEL: (65)6316 2028 TEL: (62)21 6906606 TEL: (60)3 7803 8807 TEL: (61)2 9899 2411 TEL: (852)2607 1168 TEL: (86)20 84350603 TEL: (86)21 6272 7502 TEL: (82)2 2630 4800 TEL: (886)2 8227 6900 TEL: (66)2 322 2471	FAX: 508 429 1386 FAX: 19 3244 5900 FAX: 6316 3221 FAX: 21 6906612 FAX: 3 7803 4800 FAX: 2 9899 2421 FAX: 2607 1000 FAX: 20 84359181 FAX: 21 6272 6929 FAX: 2 2630 4801 FAX: 2 8227 6818 FAX: 2 322 2477
--	---	--	---	---	---

Caution for safety use: Before use of pump, read instruction manual carefully to use the product correctly.

Legal attention related to export. Our products and/or parts of products fall in the category of goods contained in control list of international regime for export control. Please be reminded that export license could be required when products are exported due to export control regulations of countries.

The posting and copying from this catalogue without permission is not accepted firmly.