



## High-precision metering pump that is ideal for immunoassay and chemistry analyzers

### Example of applications

Fixed quantity reagent injection, cleaning solution management, buffer solution management, fixed saline injection, etc.

### Liquid connections

The female thread connection (1/4-28"UNF) is standard in laboratory equipment. This allows the use of commercially available fittings to aid in easy integration.

Note: A joint with a ratchet function is recommended so that a certain amount of force is not applied.

### Variable discharge volume (V-07 type only)

By adjusting the swing angle of the pump head, the discharge volume can be adjusted widely from 0.1/0.2/0.3 mL/shot.

### High corrosion resistance

The PVDF pump head allows for the delivery of strong alkaline.

### Cleaning port (Selectable when ordering)

The cleaning/flush port prevents seizing of the plunger. The plunger surface is kept clean at all times, allowing it to operate freely whenever needed.

### Rotation sensor

With an integrated standard rotation sensor, the pump quickly detects errors and easily monitors discharge rates.

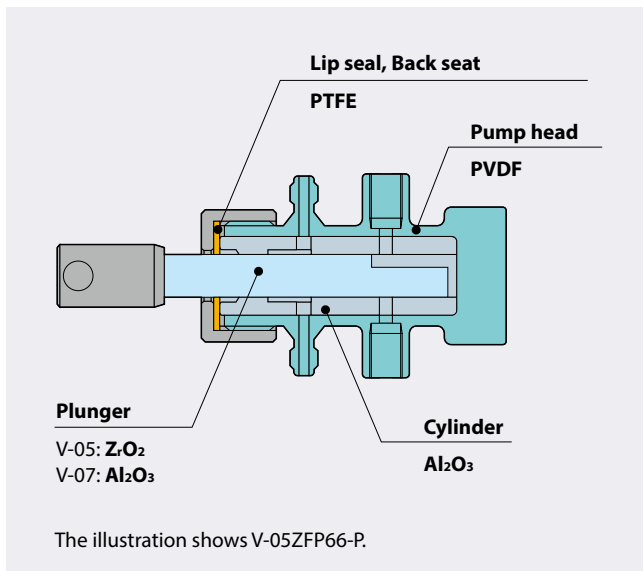
### Compliance

Supports CE marking, which is a European safety standard.

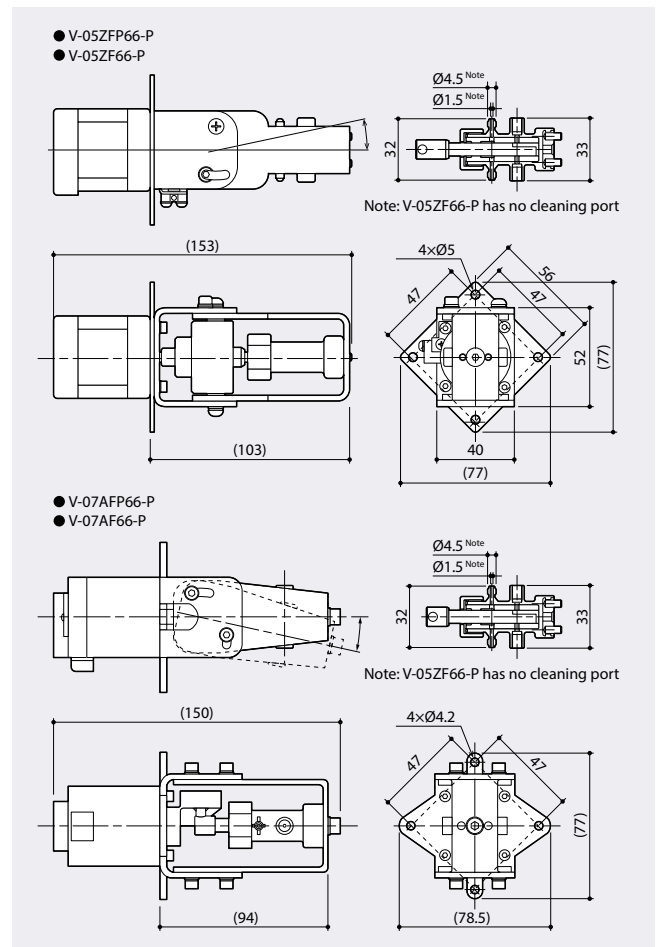
# Specifications

Model		V - 07 A F (P) 66 - P			
		V - 05 Z F (P) 66 - P 01	01	02	03
1 shot flow	mL	0.1	0.1	0.2	0.3
Flow rate	mL/min	0.5 - 30	0.5 - 30	1.0 - 60	1.5 - 90
Stroke rate	rpm	5 - 300		5 - 300	
Precision dosing		±1.5%		±1.5%	
Max. discharge pressure	kPa	150		150	
Liquid temperature	°C	0 - 60		0 - 60	
Atmosphere temperature	°C	0 - 40		0 - 40	
Weight	g	820		700	
Dimensions	mm	(153) × (77) × (77)		(150) × (78.5) × (77)	
Motor		2-phase Unipolar stepper motor		2-phase bipolar stepper motor	
Power voltage range		DC24V		DC24V	

## Wet end materials



## Dimensions (mm)



IWAKI CO., LTD. 6-6 Kanda-Sudacho 2-chome Chiyoda-ku Tokyo 101-8558 Japan TEL : (81)3 3254 2935 FAX : 3 3252 8892

IWAKI has global net work. Please find your distributor location at

[www.iwakupumps.jp](http://www.iwakupumps.jp)

European office : IWAKI Europe GmbH  
Germany : IWAKI Europe GmbH  
Holland : IWAKI Europe GmbH (Netherlands Branch)  
Italy : IWAKI Europe GmbH (Italy Branch)  
Spain : IWAKI Europe GmbH (Spain Branch)  
Belgium : IWAKI Belgium N.V.  
Denmark : IWAKI Nordic A/S  
Finland : IWAKI Suomi Oy  
France : IWAKI France S.A.  
Norway : IWAKI Norge AS  
Sweden : IWAKI Sverige AB

TEL: (49)2154 9254 0 FAX: 2154 9254 48  
TEL: (49)2154 9254 50 FAX: 2154 9254 55  
TEL: (31)74 2420011 FAX: (49)2154 925448  
TEL: (39)0444 371115 FAX: 0444 335350  
TEL: (34)93 37 70 198 FAX: 93 47 40 991  
TEL: (45)48 24 2345 FAX: 13 67 20 30  
TEL: (358)9 2745810 FAX: 1 64 49 92 73  
TEL: (33)1 69 63 33 70 FAX: (47)23 38 49 00  
TEL: (46)8 511 72900

( )Country codes

U.S.A. : IWAKI America Inc.  
Argentina : IWAKI America Inc. (Argentina Branch)  
Brasil : IWAKI Do Brasil Comercio De Bombas Hidraulicas LDA.  
Singapore : IWAKI Singapore Pte Ltd.  
Indonesia : IWAKI Singapore (Indonesia Office)  
Malaysia : IWAKI Sdn. Bhd.  
Australia : IWAKI Pumps Australia Pty Ltd.  
Hong Kong : IWAKI Pumps Co., Ltd.  
China : GFTZ IWAKI Engineering & Trading Co., Ltd.  
: IWAKI Pumps (Shanghai) Co., Ltd.  
Korea : IWAKI Korea Co., Ltd.  
Taiwan : IWAKI Pumps Taiwan Co., Ltd.  
Thailand : IWAKI (Thailand) Co., Ltd.

TEL: (1)508 429 1440 FAX: 508 429 1386  
TEL: (54)11 4745 4116  
TEL: (55)19 3244 5900 FAX: 19 3244 5900  
TEL: (65)6316 2028 FAX: 6316 3221  
TEL: (62)21 6906606 FAX: 21 6906612  
TEL: (60)3 7803 8807 FAX: 3 7803 4800  
TEL: (61)2 9899 2411 FAX: 2 9899 2421  
TEL: (852)2607 1168 FAX: 2607 1000  
TEL: (86)20 84350603 FAX: 20 84359181  
TEL: (86)21 6272 7502 FAX: 21 6272 6929  
TEL: (82)2 2630 4800 FAX: 2 2630 4801  
TEL: (886)2 8227 6900 FAX: 2 8227 6818  
TEL: (66)2 322 2471 FAX: 2 322 2477

⚠ Caution for safety use:  
Before use of pump, read instruction manual carefully to use the product correctly.

⚠ Legal attention related to export.

Our products and/or parts of products fall in the category of goods contained in control list of international regime for export control. Please be reminded that export license could be required when products are exported due to export control regulations of countries.

The posting and copying from this catalogue without permission is not accepted firmly.