

IWAKI
MAGNETIC DRIVE
TURBINE PUMPS

MDT



Compact size but high pressure of 0.35MPa

MDT Series is plastics made magnetic drive turbine pump.

Small flow and high head. Small size but high pressure up to 0.35MPa is available.

No leakage seal-less construction makes it most suitable for being incorporated in equipments such as laser and X ray system cooling and temperature control system etc.

Seal-less construction

Thanks to magnet drive seal-less construction, no liquid leaks and no shaft-seal replacement is required.

Non-metal construction

Wet-ends are corrosion resistant materials such as PPS, PEEK, ceramic, carbon. It can handle various chemicals such as acid and alkaline solutions because no metal is used.

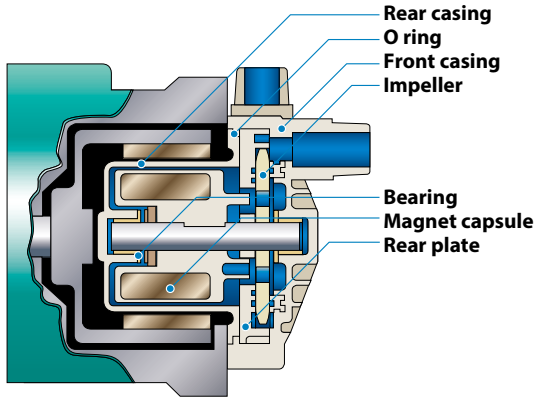
High pressure/high vacuum

Small size but high pressure up to 0.35MPa is available. It can be used for negative pressure of suction side because it makes suction pressure up to 8.00kPa.

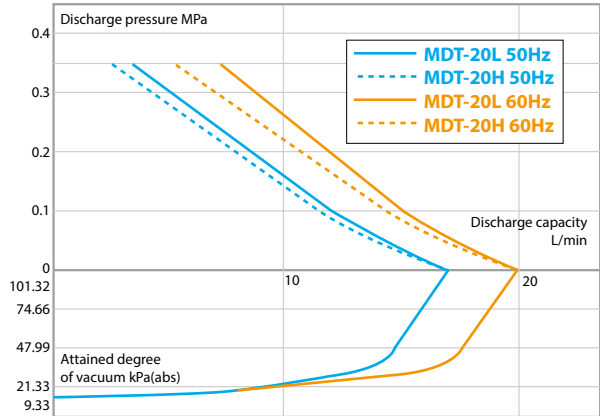
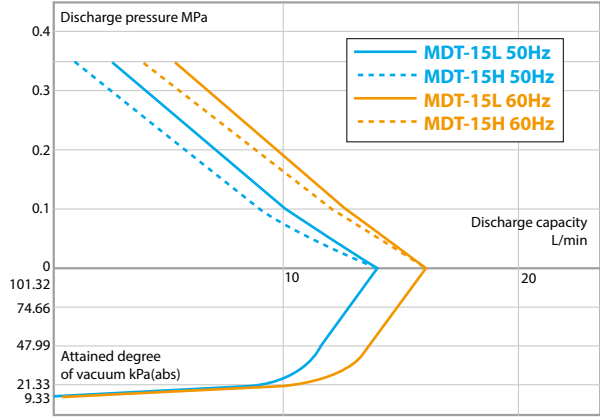
Compact design

Ideal for incorporation in equipment and apparatus because it is small size and compact design.

Construction



Performance curves



Wet end materials

Part name	Material
Front casing	GFRPPS, CFRPPS
Thrust	
Rear casing	GFRPPS
Rear plate	CFRPPS
Impeller	CFRPEEK
Magnet capsule	GFRPPS, CFRPPS, Alminaceramic
Spindle	
O ring	EPDM
Bearing	Carbon or siliconized graphite

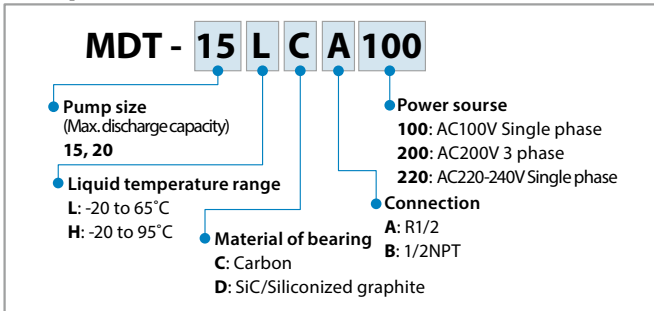
Specifications

50/60Hz

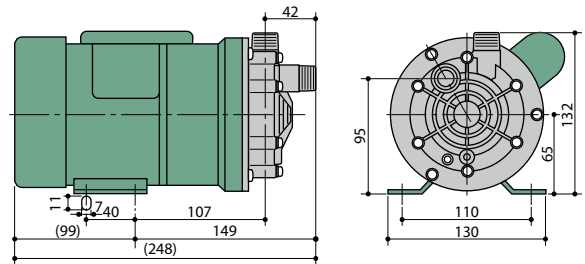
Model	Connection Suction/discharge	Max. capacity L/min	Max. pressure MPa	Attained degree of vacuum kPa(abs)	Liquid temperature range °C	Motor	Mass kg
MDT-15L	R1/2 or 1/2NPT	14/16	0.35	8.00	-20 to 65	AC100V/220V 180/220W Single phase or AC200V 180/220W 3 phase	6.3
MDT-15H				9.33	-20 to 95		
MDT-20L		17/20		8.00	-20 to 65		
MDT-20H	8.00			-20 to 95			

Note1: Ask us for liquid below 0 °C temperature. Note2: Max. permissible liquid viscosity is 2mPa.s. Ask us for more viscous liquid. Note3: Slurries containing liquid can not be handled. Note4: Above mentioned performance is pumping clear water at ambient temp. (25°C). Performance may change depending on liquid characteristics and temperature. Ask us for details.

Pump identification



Dimensions in mm



IWAKI CO., LTD. 6-6 Kanda-Sudacho 2-chome Chiyoda-ku Tokyo 101-8558 Japan TEL : (81)3 3254 2935 FAX : 3 3252 8892

IWAKI has global net work. Please find your distributor location at www.iwakipumps.jp

European office : IWAKI Europe GmbH
 Germany : IWAKI Europe GmbH
 Holland : IWAKI Europe GmbH (Netherlands Branch)
 Italy : IWAKI Europe GmbH (Italy Branch)
 Spain : IWAKI Europe GmbH (Spain Branch)
 Belgium : IWAKI Belgium N.V.
 Denmark : IWAKI Nordic A/S
 Finland : IWAKI Suomi Oy
 France : IWAKI France S.A.
 Norway : IWAKI Norge AS
 Sweden : IWAKI Sverige AB
 U.K. : IWAKI Pumps (UK) Ltd.

TEL: (49)2154 9254 0 FAX: 2154 9254 48
 TEL: (49)2154 9254 50 FAX: 2154 9254 55
 TEL: (31)74 2420011 FAX: (49)2154 925448
 TEL: (39)0444 371115 FAX: 0444 335350
 TEL: (34)93 37 70 198 FAX: 93 47 40 991
 TEL: (32)13 67 02 00 FAX: 13 67 20 30
 TEL: (45)48 24 2345 FAX: 48 24 2346
 TEL: (358)9 2745810 FAX: 9 2742715
 TEL: (33)1 69 63 33 70 FAX: 1 64 49 92 73
 TEL: (47)23 38 49 00 FAX: 23 38 49 01
 TEL: (46)8 511 72900 FAX: 8 511 72922
 TEL: (44)1743 231363 FAX: 1743 366507

()Country codes

U.S.A. : IWAKI America Inc.
 Argentina : IWAKI America Inc. (Argentina Branch)
 Brazil : IWAKI Do Brasil Comercio De Bombas Hidraulicas Ltda.
 Singapore : IWAKI Singapore Pte Ltd.
 Indonesia : IWAKI Singapore (Indonesia Office)
 Malaysia : IWAKIm Sdn. Bhd.
 Australia : IWAKI Pumps Australia Pty Ltd.
 Hong Kong : IWAKI Pumps Co., Ltd.
 China : GFTZ IWAKI Engineering & Trading Co., Ltd.
 : IWAKI Pumps (Shanghai) Co., Ltd.
 Korea : IWAKI Korea Co., Ltd.
 Taiwan : IWAKI Pumps Taiwan Co., Ltd.
 Thailand : IWAKI (Thailand) Co., Ltd.

TEL: (1)508 429 1440 FAX: 508 429 1386
 TEL: (54)11 4745 4116
 TEL: (55)19 3244 5900 FAX: 19 3244 5900
 TEL: (65)6316 2028 FAX: 6316 3221
 TEL: (62)21 6906606 FAX: 21 6906612
 TEL: (60)3 7803 8807 FAX: 3 7803 4800
 TEL: (61)2 9899 2411 FAX: 2 9899 2421
 TEL: (852)2607 1168 FAX: 2607 1000
 TEL: (86)20 84350603 FAX: 20 84359181
 TEL: (86)21 6272 7502 FAX: 21 6272 6929
 TEL: (82)2 2630 4800 FAX: 2 2630 4801
 TEL: (886)2 8227 6900 FAX: 2 8227 6818
 TEL: (66)2 322 2471 FAX: 2 322 2477

Caution for safety use: Before use of pump, read instruction manual carefully to use the product correctly.

Actual pumps may differ from the photos. Specifications and dimensions are subject to change without prior notice. For further details please contact us.

Legal attention related to export.

Our products and/or parts of products fall in the category of goods contained in control list of international regime for export control. Please be reminded that export license could be required when products are exported due to export control regulations of countries.

The posting and copying from this catalogue without permission is not accepted firmly.